



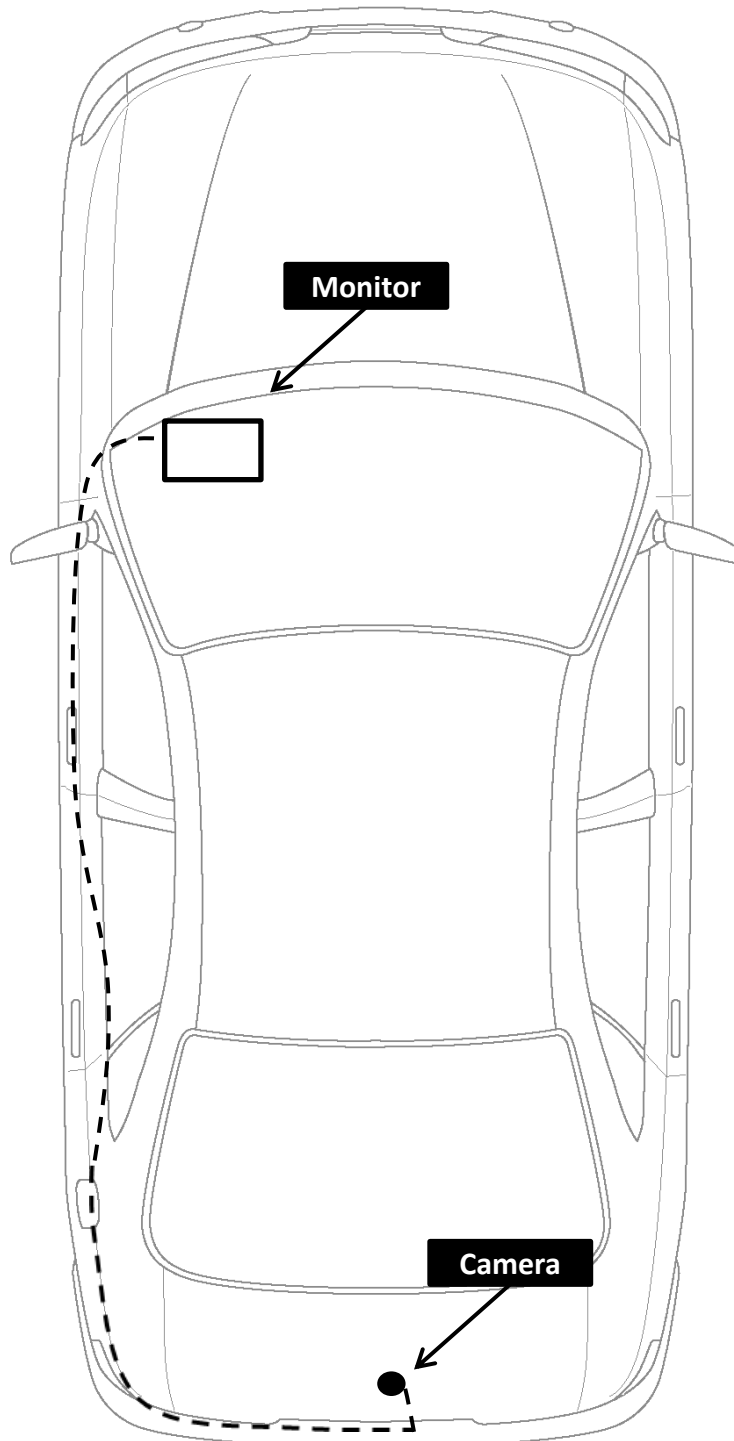
VOXXSM

Electronics Corporation

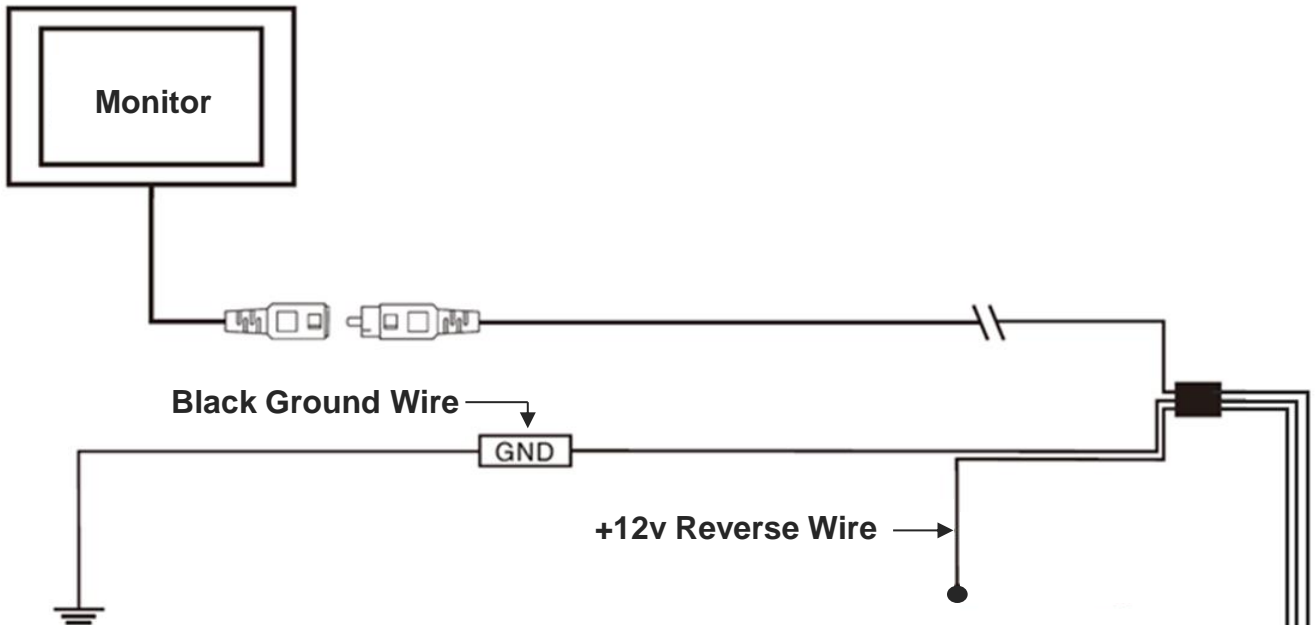
ACA501 – License Plate Mount Camera Installation Set-up Guide

NO.	Part #	ITEM	QTY	PICTURE
1	4360613	Camera	1	
2	4060048	Hole Saw	1	
3	4120335	Video RCA Cable for Cameras	1	
4	4120336	Power Cable	1	
5	4280690	Manual	1	

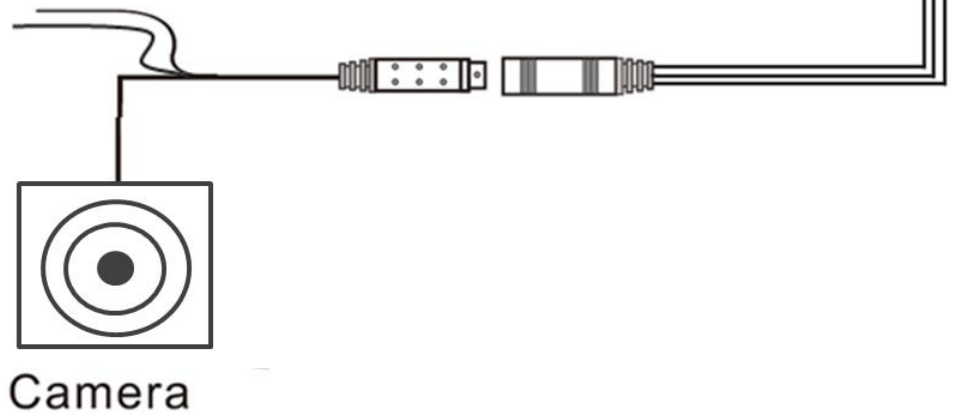
System Layout



Harness & Device Wire Diagram



Cut WHITE LOOP for a forward or normal image view
Cut BLUE LOOP to shut parking lines off



Warnings

The product is intended to assist in safe driving and to allow the driver to have a broader rear view while the vehicle is in reverse. You, as the driver, are solely responsible for the safe operation of your vehicle and the safety of your passengers according to local traffic regulations. Your first priority while driving should always be the safe operation of your vehicle. Audiovox Electronics Corporation will not accept any responsibility, whatsoever, for accidents resulting from failure to observe these precautions or safety instructions.

1. This product utilizes high voltage. Any unauthorized modifications or damage to the product may result in electrical shock. Handle all components with care. Inspect regularly for damage to components and cabling.
2. You are responsible for ensuring that the installation of this product does not void or affect the vehicle manufacturer's warranty. Audiovox Electronics Corporation or its subsidiaries are not liable in full or in part for improper installation resulting in loss or damage to your property, or for voiding all or part of the vehicle manufacturer's warranty.
3. Do not apply excessive force to any of the components contained within this kit. Excessive force used before, during or after installation that results in a damaged or non-functional part will void all warranties.
4. Please follow the procedures in this installation manual. Improper installation or modification of this product will void all warranties.

Product Description

This camera design integrates a backup camera with your vehicle's rear license plate without covering the license plate. The camera is easy to mount on your car, truck, or van but **ALWAYS CHECK AND DOUBLE CHECK** before drilling or mounting any item on the vehicle. Make sure there are no obstructions in front of the camera, behind where mounting the camera, and that the wire can be run without pinching or interfering with any other item.

This Wired Camera is compatible with most monitor/TFT screens and can be connected using a standard RCA connector. If an extension lead is required be sure to use a Video cable with RCA type ends. An Audio cable will cause poor picture quality.

Camera Installation

Look for a location that will give you the best view behind the vehicle. This should not be directly next to or under a reverse/backup lamp as it may blind the camera at night. Avoid license plate lamps as well as they too can blind the camera at night. Before drilling determine the best way to run the power wires to the reverse lights & the extension cable through the car. Insure that your route will not interfere with any safety equipment, trunk release or other items on the vehicle. Once your location has been confirmed **AGAIN DOUBLE CHECK BEFORE YOU DRILL!** Look for wires, sensors, double metal, anything that could cause a problem or damage. The camera should lay flat against the mounting surface for proper installation and weather proofing.

1. After selecting a mounting surface, either remove the panel if possible or tape off the area to be drilled with masking tape in order to protect the surroundings.
2. For the ACA501 Camera, we include a 22mm hole saw. Use this drill bit to drill through your mounting surface for the camera. Make sure that there is not a metal lip or double metal in this area as it could damage the hole saw blade.
3. For the ACA501 Camera use a 5/16" drill bit to create your hole to mount the camera.
4. After drilling carefully remove any burrs or sharp edges so you do not damage the cable when pulling it through. Coat the edge of the hole with rust preventative. On the ACA501 remove the backing on the double sided tape on the top of the camera base before inserting into the mounting location.
5. Carefully route the camera cable connector through the hole and insert the camera into the hole.
6. Use the included hardware to secure the camera in place. **DO NOT OVERTIGHTEN** the hardware.
7. Wire the Camera's power wire to the vehicle's reverse lamp.
 - a) Locate the reverse lamp in the tail light assembly.
 - b) Using a crimp connector or by soldering, attach the red wire to the positive 12 volt wire from the reverse lamp. Attach the black wire to ground.
 - c) If a trigger wire is required at the front of the vehicle or you wish to power your camera from the front of the vehicle use the additional red wire on the video extension cable. **NOTE:** Do not connect to the reverse lamp and to power at the front of the vehicle. This will cause the reverse lamp to turn on any time you power the camera.
8. Run the extension cable to the location of the monitor and connect the other end of the extension cable to the camera. Yellow RCA connected to the Video input.

Reverse/Normal Image Adjustment

The camera comes standard with a reversed image (mirrored), designed for mounting at the rear of the vehicle. If you need to change to a forward or normal image view, cut the white jumper wire loop on the camera cable to change the camera image to normal (not mirrored). Secure the cut wires with electrical tape. To change back to reverse image view, reconnect the white wires and secure with electrical tape.

Notes



For customer or technical support please call Voxx Support:

1-800-645-4994

**9 AM – 6 PM (EST - Eastern)
Monday – Friday**

VOXX Electronics Corporation, 150 Marcus Blvd., Hauppauge, New York 11788
Patented www.voxxintl.com/company/patents